

KENWOOD

# KDC-C601

---

COMPACT DISC AUTO CHANGER  
INSTRUCTION MANUAL

CHANGEUR AUTOMATIQUE DE DISQUES COMPACTS  
MODE D'EMPLOI

CD-WECHSLER  
BEDIENUNGSANLEITUNG

CD-WESSELAAR  
GEBRUIKSAANWIJZING

LETTORE MULTI-CD AUTOMATICO  
ISTRUZIONI PER L'USO

CAMBIADOR AUTOMATICO DE DISCOS COMPACTOS  
MANUAL DE INSTRUCCIONES

KENWOOD CORPORATION



**Take the time to read through this instruction manual. Familiarity with installation and operation procedures will help you obtain the best performance from your new compact disc auto changer.**

### **For your records**

Record the serial number, found on the back of the unit, in the spaces designated on the warranty card, and in the space provided below. Refer to the model and serial numbers whenever you call upon your KENWOOD dealer for information or service on the product.

Model KDC-C601 Serial number \_\_\_\_\_

# WARNING

## CAUTION

The use of optical instruments with this product will increase eye hazard.

## INFORMATION

This equipment generates and uses radio frequency energy and if not installed and used properly, that is, in strict accordance with the manufacturer's instructions, may cause interference to radio and television reception. It has been type tested and found to comply with the limits for a Class B computing device in accordance with the specifications in Subpart J of Part 15 of FCC Rules, which are designed to provide reasonable protection against such interference in a residential installation. However, there is no guarantee that interference will not occur in a particular installation. If this equipment does cause interference to radio or television reception, which can be determined by turning the equipment off and on, the user is encouraged to try to correct the interference by one or more of the following measures:

- Reorient the receiving antenna
- Relocate this equipment with respect to the receiver
- Move this equipment away from the receiver
- Plug this equipment into a different outlet so that equipment and receiver are on different branch circuits.

If necessary, the user should consult the dealer or an experienced radio/television technician for additional suggestions. The user may find the following booklet prepared by the Federal Communications Commission helpful:

"How to Identify and Resolve Radio-TV Interference Problems".

This booklet is available from the U.S. Government Printing Office, Washington, DC 20402, Stock No. 004-000-00345-4.

- As the laser beam used in this compact disc player is harmful to the eyes, do not attempt to disassemble the cabinet. Refer servicing to qualified personnel only.

## FCC WARNING:

This equipment may generate or use radio frequency energy. Changes or modifications to this equipment may cause harmful interference unless the modifications are expressly approved in the instruction manual. The user could lose the authority to operate this equipment if an unauthorized change or modification is made.

## NOTE:

This equipment has been tested and found to comply with the limits for a Class B digital device, pursuant to Part 15 of the FCC Rules. These limits are designed to provide reasonable protection against harmful interference in a residential installation. This equipment may cause harmful interference to radio communications, if it is not installed and used in accordance with the instructions. However, there is no guarantee that interference will not occur in a particular installation. If this equipment does cause harmful interference to radio or television reception, which can be determined by turning the equipment off and on, the user is encouraged to try to correct the interference by one or more of the following measures:

- Reorient or relocate the receiving antenna.
- Increase the separation between the equipment and receiver.
- Connect the equipment into an outlet on a circuit different from that to which the receiver is connected.
- Consult the dealer or an experienced radio/TV technician for help.

# SAFETY PRECAUTIONS

## **▲WARNING**

### **To prevent fire and avoid personal injury in case of accidents**

- Check to be sure that no metal objects (tools, needles, coins) are left inside the unit.
- If you smell or see smoke, disconnect the unit immediately and consult your KENWOOD dealer. Continued use can cause a fire or permanent damage to the unit.

## **▲CAUTION**

### **To keep the unit in proper working order**

- Do not open front panel or top or bottom cover.
- Do not expose this unit to direct sunlight or high heat.
- Keep it clean and dry.
- Be sure it is fastened securely and not exposed to excess vibration.

## **NOTE**

- If you have difficulty in installing this unit in your vehicle, please contact your KENWOOD dealer.
- If it doesn't seem to be working properly, first press the Reset button. If the malfunction persists, consult your KENWOOD dealer.
- As the laser beam used in this compact disc player is harmful to the eyes, do not attempt to disassemble the cabinet. Refer servicing to qualified personnel only.

## **Cleaning**

1. Always turn the power OFF before cleaning.
2. Wipe the front panel and other exterior surfaces with a soft dry cloth or a soft cloth lightly moistened with a neutral detergent.

## **▲CAUTION**

- DO NOT use abrasive pads or paint thinner, benzene, or other volatile solvents. These may remove the indicator characters.



# LENS FOGGING AND HEAT PROTECTION

---

## Lens Fogging

- In cold climates, there may be a period after you turn on your vehicle's heater when the lens that guides the laser beam used in your CD player fogs up. If this happens, your CD player will not work properly. If you wait about an hour, the fogging will disappear and your CD player will work normally.  
If it does not return to normal, please contact your KENWOOD dealer or authorized service center.

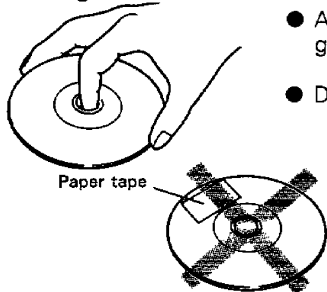
## Heat Protection

- In warm climates, when vehicles are left standing in direct sunlight with the windows closed, the temperature inside can rise above 60°C. Your CD player's protection circuits will then display the message "HOLD" and prevent the player from operating. Just open the windows or turn on the air conditioning. As soon as the "HOLD" message disappears, the player will operate normally.  
If it does not return to normal, press Reset button before use.

# HANDLING COMPACT DISCS

- Stains, dust, scratches or warping can cause skipping or other malfunctions. To enjoy your discs for a long time, please handle them as follows.

## <Holding a Disc>

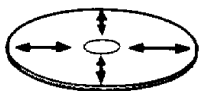


- Avoid touching the music storage area (the part with the glistening rainbow colors).
- Do not use paper tape on the label or music storage area.

## <Storing Your Discs>

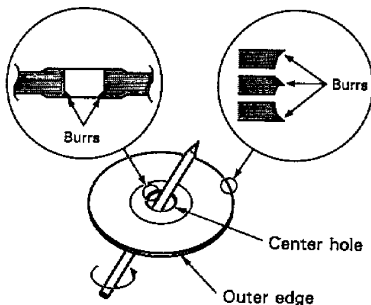
- Do not store discs where they will be exposed to direct sunlight, high heat, or humidity.
- Especially in summer, never leave your discs exposed to sunlight on the dashboard or on the seat with the windows closed. High heat can cause warping.
- If you do not use your player for an extended period of time, remove the disc magazine from the changer and store it in a cool, dry place.
- Store your discs in their cases or in the magazine. To avoid scratches, dirt, or warping, do not leave them lying around without cases, piled up, or leaning on each other.

## <Cleaning Your Discs>



- If there are fingerprints or stains on a disc, wipe them off with a soft cotton cloth, wiping from the center to the outside edge. Never use paint thinner, benzene or conventional record cleaners.

## <Check Your New Discs>



- Some new discs have burrs on their outer edges or around the hole in the center. Use a ballpoint pen or similar instrument to remove them. Discs with burrs may not fit properly in the player or disc magazine, causing skipping when they are played.

## <Disc Accessories>

- There are several types of stabilizers, protective seals, and other disc accessories on the market, which claim to offer improved sound quality or disc protection. These accessories can, however, change the dimensions or thickness of a disk and may cause the disc changer to malfunction. They should not be used on discs played in this unit.



# CONTENTS

---

目次

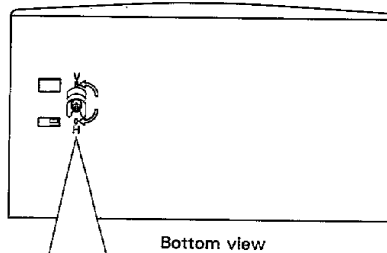
■ OPERATION.....	7
■ HOW TO SET A COMPACT DISC .....	8
■ ACCESSORIES .....	10
■ CONNECTIONS .....	11
■ INSTALLATION (Mounting diagram 1) .....	12
(Mounting diagram 2) .....	14
(Mounting diagram 3) .....	16
■ TROUBLE SHOOTING GUIDE .....	17
■ SPECIFICATIONS .....	19

## ■ To control this unit

Use of this unit requires connection to a control unit. Since all operations are carried out on the control unit side, be sure to carefully read the instruction manual supplied with the control unit.

## ■ Screw adjustment

Be sure to turn the screw on the bottom of the unit according to the changer's installation orientation (horizontal or vertical). (The screw is set for horizontal installation when the unit is shipped from the factory.)



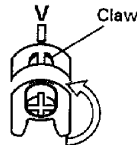
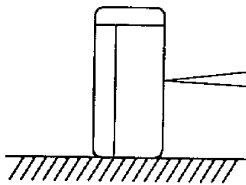
### ▲ CAUTION



- The screw will not turn any further once it locks.
- If the screw is turned with the magazine inserted, the unit may be damaged. Be sure to eject the magazine before turning the screw.
- Turn the screw while pushing the screwdriver lightly.

### ● Vertical installation

(Turn the screw 180° to the left.)



Turn the screw to the left until it stops. (Claws are observed through the slot.)

### ● Horizontal installation

(When switching from a vertical to horizontal installation, turn the screw 180° to the right.)

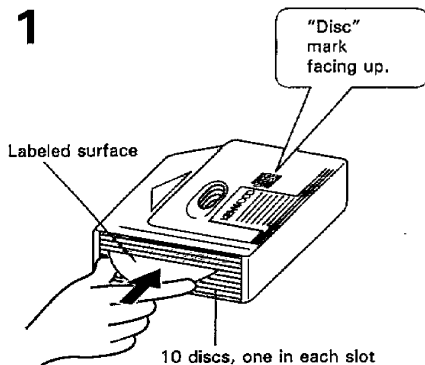


Turn the screw to the right until it stops.

# HOW TO SET A COMPACT DISC

1 2 3 4

1

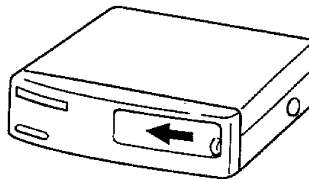


- Discs are numbered in sequence (1, 2, 3...) from the bottom slot up. Insert discs into the magazine with their labeled sides facing up.

## ▲ CAUTION

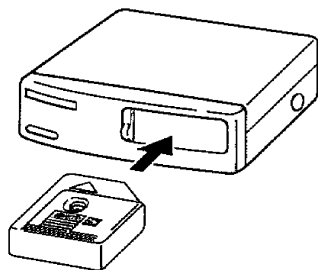
- 8 cm (3 in) CDs cannot be used in this unit. If an 8 cm (3 in) CD adapter is used, the disc will not eject.

2



- Open the door of the unit.

3

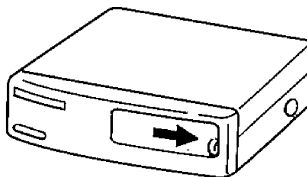


- Insert the disc magazine into the unit.

## NOTE

- Insert the disc magazine till it clicks.

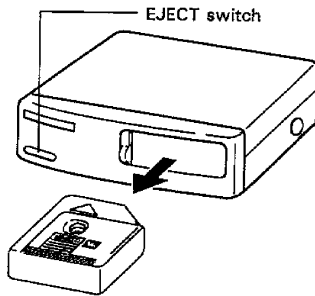
4



- Dust entering the unit will make the laser pickup dirty and adversely affect performance. Always be sure to keep the door closed.



## 5 To eject a magazine

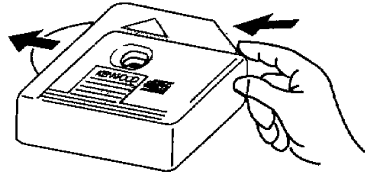


- To remove the disc magazine, open the door and then press the EJECT switch.

### NOTE

- The magazine will not eject if the door is not completely open.

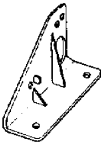
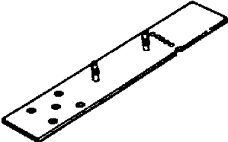




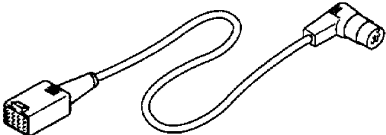

## 6 To remove a compact disc



- To remove a disc from the magazine, press on the rear of the disc so that it slides out the front. Do not use too much force or the disc may fly out the front of the magazine.

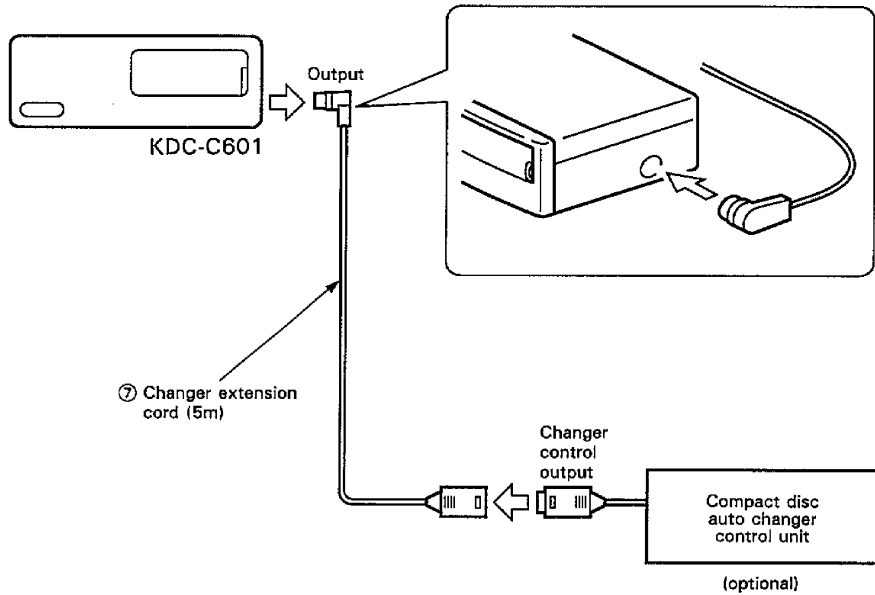
# ACCESSORIES



No.	Part name	External view	Number of items
①	Bracket		2
②	Plate		2
③	Tapping screw ( $\phi 5 \times 20$ )		4
④	Assembly screw with washer ( $M5 \times 12$ )		4
⑤	Hex. nut (M5)		4
⑥	Sub-bracket		2
⑦	Changer extension cord (5 m)		1
⑧	Tape		2

# CONNECTIONS

- For more detailed connection method, please refer to the Instruction Manual supplied with the Compact disc auto changer control unit.



## ▲ CAUTION

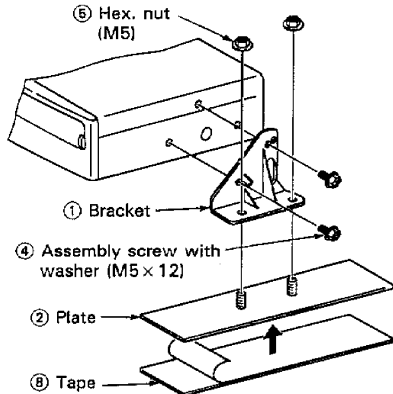
- Do not install an antenna of radio equipment or distribute the antenna cable near the changer output cable, for this could cause malfunction with this unit.

# INSTALLATION

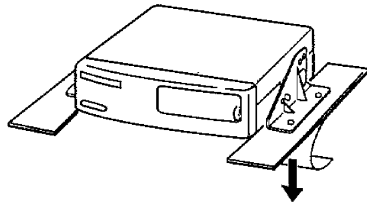
## Mounting Diagram 1

### Horizontal installation

- 1** Paste tape ⑧ on plate ②.  
Attach the bracket ① to the main unit and temporarily attach the plate ② to the bracket. (Do the same for the left side also.)



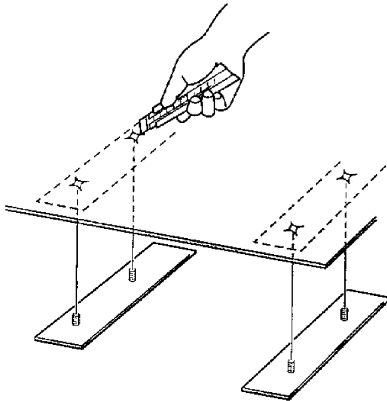
- 2** Pull up the carpet, peel off the protective paper of tape ⑧ to expose the adhesive on the bottom of the plates ② and place the unit in the desired installation position so that the plates adhere to the surface.



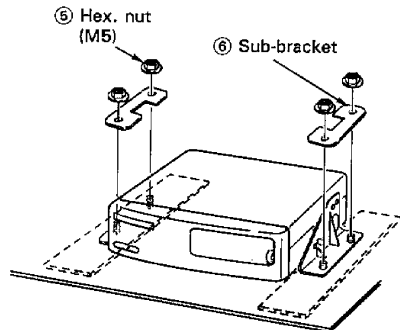
#### NOTE

- Wipe stains as oil on the installation surface. And make sure the surface is flat.

- 3** Cut the carpet at the points where the plate ② bolts protrude.



- 4** With the carpet in place, use the 4 Hex. nuts (M5) ⑤ to secure the changer in the installation position.

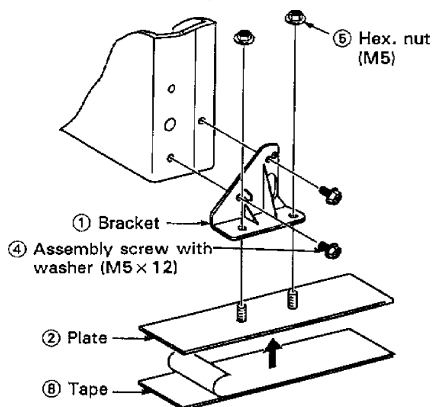


#### ▲ CAUTION

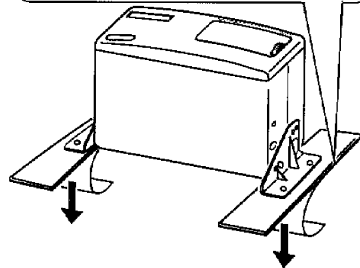
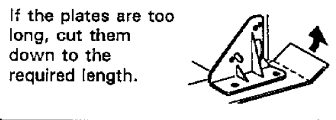
- Do not install the unit at a dusty place. If the unit is installed at a dusty place, dust accumulates inside the unit and the unit may be damaged.

## Vertical installation

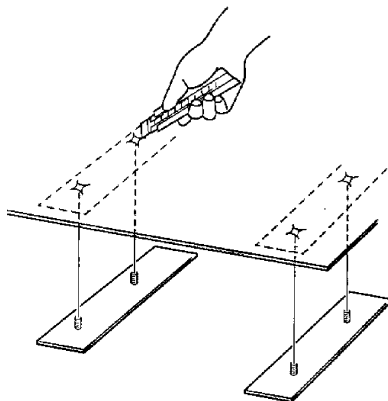
- 1** Paste tape ⑧ on plate ②.  
Turn the screw on the bottom of the unit (see P. 7). Attach the bracket ① to the main unit and temporarily attach the plate ② to the bracket. (Do the same for the left side also.)



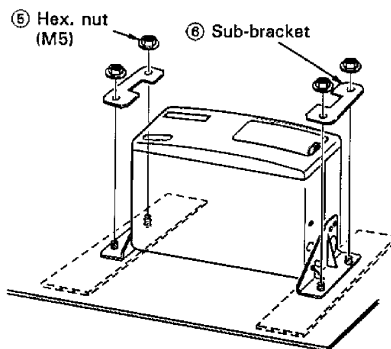
- 2** Pull up the carpet, peel off the protective paper to expose the adhesive on the bottom of the plates ② and place the unit in the desired installation position so that the plates adhere to the surface.



- 3** Cut the carpet at the points where the plate ② bolts protrude.



- 4** With the carpet in place, use the 4 Hex. nuts (M5) ⑥ to secure the changer in the installation position.



### ▲ CAUTION

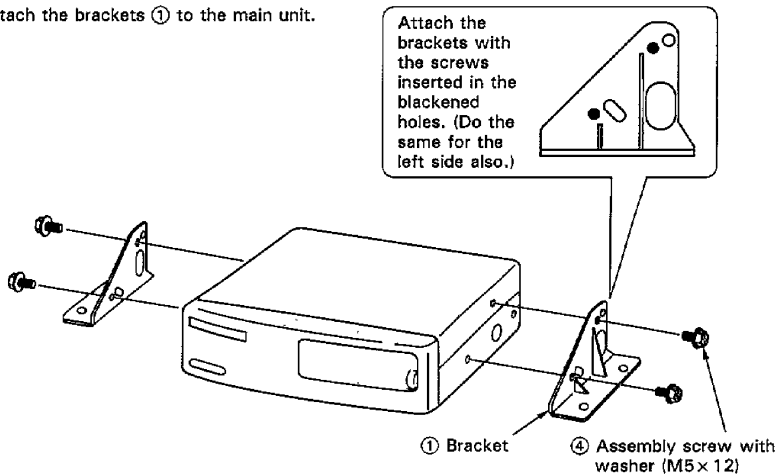
- Installation method 1 is a simple installation method. If the sound skips when CDs are played, reinstall the unit using installation method 2 (see the next page.)

# INSTALLATION

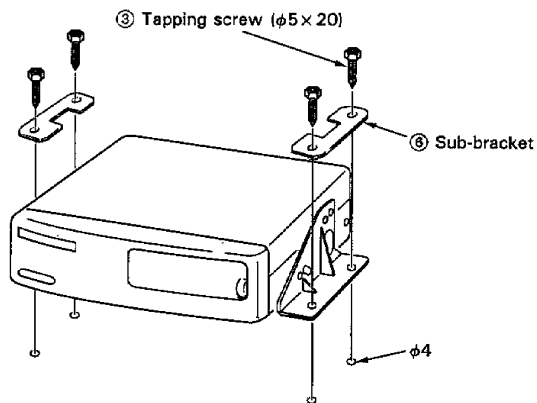
## Mounting Diagram 2

### Horizontal installation

- 1** Attach the brackets ① to the main unit.



- 2** Drill holes approximately 4 mm in diameter in the installation surface, align the bracket ① holes with the drilled holes and secure the unit in position.



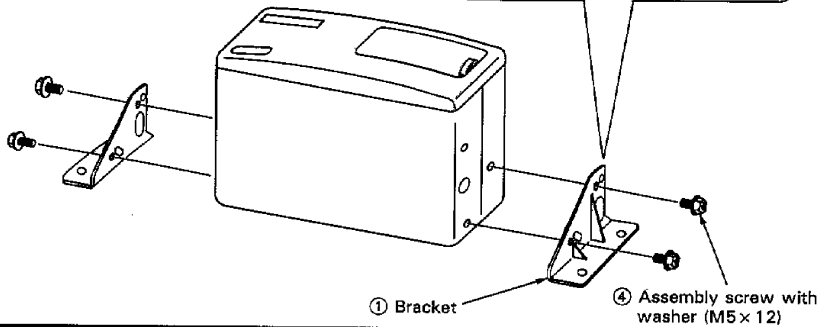
### ▲ CAUTION

- Do not install the unit at a dusty place. If the unit is installed at a dusty place, dust accumulates inside the unit and the unit may be damaged.

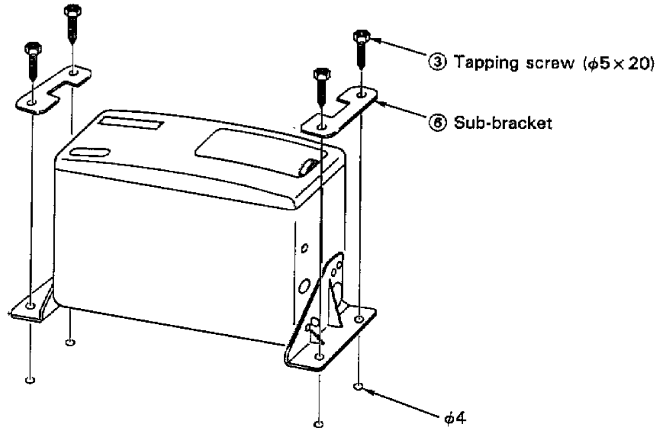
## Vertical installation

- 1** Turn the screw on the bottom of the unit (see P. 7). Attach the brackets ① to the main unit.

Attach the brackets with the screws inserted in the blackened holes. (Do the same for the left side also.)



- 2** Drill holes approximately 4 mm in diameter in the installation surface, align the bracket ① holes with the drilled holes and secure the unit in position.

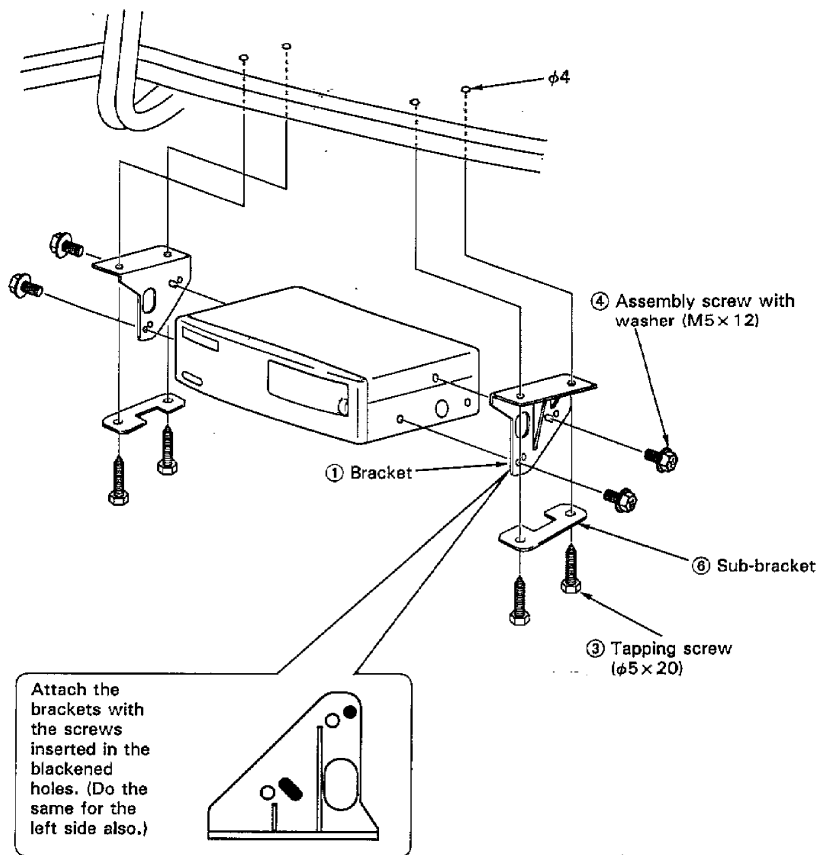


### **▲ CAUTION**

- When making the hole, make sure not to damage the fuel tank, brake tube, wiring harnesses, etc. on the other side.

# INSTALLATION

## Mounting diagram 3 (In case of hanging in the trunk)



### NOTE

- If the unit is installed near speakers, the speakers vibration causes a sound skip. Be sure not to do that.
- Do not install the unit at a dusty place. If the unit is installed at a dusty place, dust accumulates inside the unit and the unit may be damaged.



# TROUBLE SHOOTING GUIDE

Often, what appears to be a malfunction is due to user error. Before calling for service, please consult the following table.

Symptom	Cause	Remedy
Power is not turned ON.	<ol style="list-style-type: none"> <li>1. Output cable from the control unit is not connected.</li> <li>2. The engine key switch of the car is not set to ACC ON.</li> <li>3. The incorporated microcomputer is not operating correctly due to some effect.</li> </ol>	<ol style="list-style-type: none"> <li>1. Connect the control unit cable correctly.</li> <li>2. Set the engine key switch to ACC ON.</li> <li>3. Press the Reset button of the control unit.</li> </ol>
Operation switches do not function.	Correct operation is not obtained due to a sudden change in the power voltage, etc.	Press the Reset button of the control unit.
CD play does not start.	<ol style="list-style-type: none"> <li>1. Player is set to the play-pause mode.</li> <li>2. Power switch is not turned ON.</li> </ol>	<ol style="list-style-type: none"> <li>1. Press the CD (▷ □) switch.</li> <li>2. Turn the power switch ON, then press the CD (▷ □) switch.</li> </ol>
The specified disc is not played and the next disc is played.	<ol style="list-style-type: none"> <li>1. The specified disc is too dirty.</li> <li>2. The disc is placed upside down.</li> <li>3. Two discs are set in the same position.</li> <li>4. The specified disc is placed in a position with a different number.</li> </ol>	<ol style="list-style-type: none"> <li>1. Clean the disc. (Refer to page 5.)</li> <li>2. Eject the magazine and re-insert the disc correctly.</li> <li>3. Eject the magazine and set each disc correctly.</li> <li>4. Eject the magazine to check the disc number and the position number, then specify again.</li> </ol>
Sound skips due to vibration.	<ol style="list-style-type: none"> <li>1. The unit is mounted at a slant.</li> <li>2. Changer unit is mounted in an unstable place.</li> <li>3. Luggage is in contact with the changer unit.</li> <li>4. The installation screws are not installed correctly.</li> <li>5. Changer unit is installed incorrectly.</li> <li>6. Heavy scratches, dirt, or water drops are on the surface of the compact disc.</li> </ol>	<ol style="list-style-type: none"> <li>1. Mount the unit so that it is level.</li> <li>2. Mount the unit in a stable place.</li> <li>3. Set the luggage apart from the changer unit.</li> <li>4. Install the screws correctly. (☞ p. 7)</li> <li>5. Install the unit correctly and firmly.</li> <li>6. If the same section skips when the car is stopped, clean the disc referring to page 5.</li> </ol>

# TROUBLE SHOOTING GUIDE

Symptom	Cause	Remedy
Sound quality is bad, or noise is heard during play.	<ol style="list-style-type: none"> <li>1. Heavy scratches, dirt, or water drops are on the surface of the compact disc.</li> <li>2. Original recording is old, or the quality of the compact disc is not very good.</li> </ol>	<ol style="list-style-type: none"> <li>1. Clean the disc referring to page 5.</li> <li>2. If there is not problem with other discs, the sound quality depends on the disc itself.</li> </ol>
No sound is output with the CD play (▷) indication.	<ol style="list-style-type: none"> <li>1. Volume is set to the minimum level of the control unit.</li> <li>2. The incorporated microcomputer is not operating correctly.</li> <li>3. System connections are made imperfectly (power cord, connection of pre-out jacks, or speaker connections, etc.).</li> <li>4. Fader is set all the way to the front or rear of the control unit.</li> </ol>	<ol style="list-style-type: none"> <li>1. Increase the volume level of the control unit.</li> <li>2. Press the Reset button of the controller unit.</li> <li>3. Check the connections according to the instruction manual. If anything is wrong, reconnect it correctly.</li> <li>4. Set the fader to the center position between the front and rear channels of the control unit.</li> </ol>
During program play, a track or disc which has been programmed is not played.	The disc is not set in the place corresponding to the stored program.	Perform programming again correctly.
Even when the required track is specified, the specified track is not played or the player does not function.	The control unit is set to random play or program play.	Release random play or program play.

# SPECIFICATIONS

1111111111

Specifications subject to change without notice.

## Disc Section

Laser Diode .....	GaAlAs ( $\lambda = 780 \text{ nm}$ )
Digital Filter .....	8 Times Over Sampling
D/A Converter .....	1 bit
Spindle Speed .....	500 ~ 200 rpm (CLV)
Wow & Flutter .....	Below Measurable Limit
Frequency Response ( $\pm 1 \text{ dB}$ ) .....	5 Hz ~ 20 kHz
Total Harmonic Distortion (1 kHz) .....	0.005%
Signal to Noise Ratio .....	94 dB
Dynamic Range .....	94 dB
Channel Separation.....	85 dB

## Laser Diode Properties

Material .....	GaAlAs
Wavelength .....	780 nm
Emission Duration.....	Continuous
Laser Output Power .....	Less than $44.6 \mu\text{W}$

\* This output is the value measured at a distance of 200 mm from the objective lens surface on the Optical Pick-up Block.

## General

Operating Voltage .....	14.4 V (11 ~ 16 V)
Current Consumption .....	0.8 A
Operating Temperature .....	-10 ~ 50 °C
Installation Size (W x H x D) .....	281 x 76 x 171 mm (11-1/16 x 3 x 6-3/4 in.)
Weight .....	3.1 kg (6.8 lb)